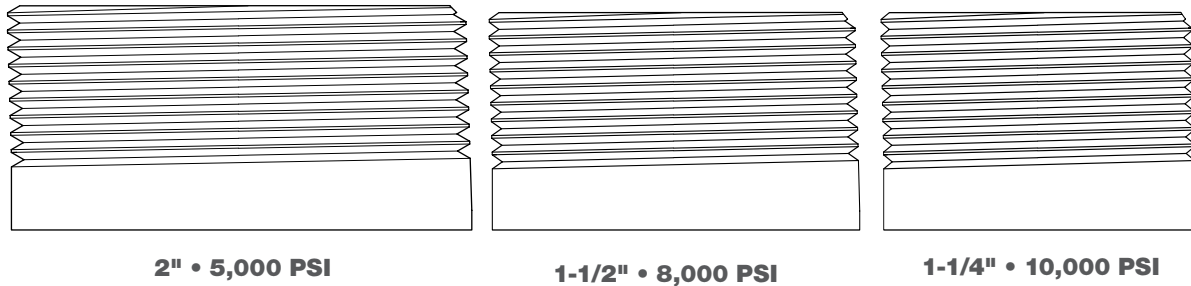
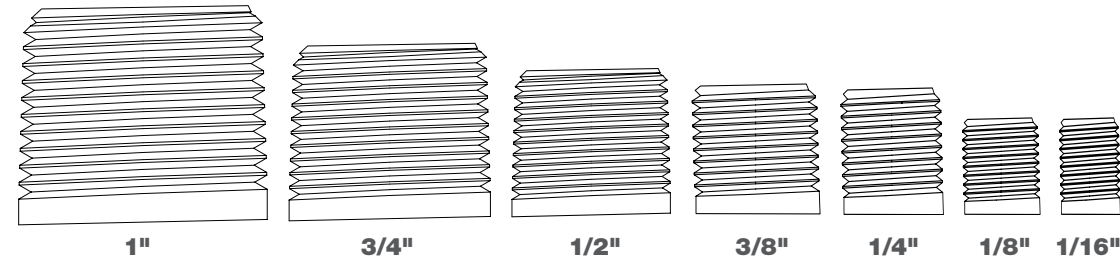


TECHNICAL 15K PSI (1000 BAR)

NATIONAL PIPE TAPER (NPT)

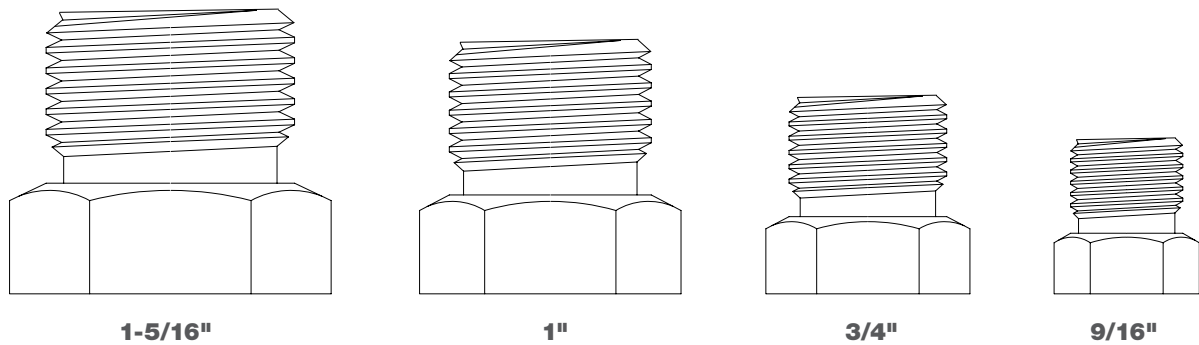
SIZE REFERENCE CHART SINGLE PIECE MALE • ACTUAL SIZE



TYPE M

SIZE REFERENCE CHART SINGLE PIECE MALE • ACTUAL SIZE

SIZE	CONNECTION THREAD	RECOMMENDED TORQUE	
		ft-lb	N-m
9/16" Type M	9/16" – 18UNF	30	41
3/4" Type M	3/4" – 16UNF	45	61
1" Type M	1" – 12UNF	70	95
1-5/16" Type M	1-5/16" – 12UN	110	149

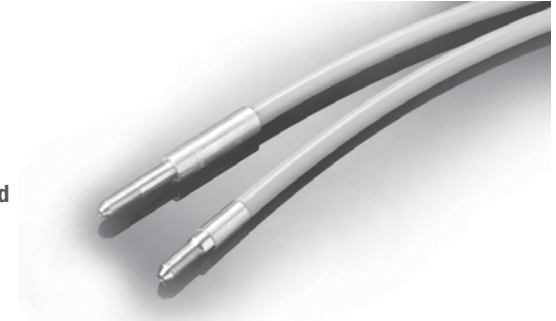


HOSES/LANCES 20K PSI (1380 BAR)

FLEX LANCES

Used for the cleaning of small diameter tubes such as those found in heat exchangers, condensers, and boilers.

- Stainless steel end fittings.
- Plastic core reinforced by four spiral layers of high tensile steel wire enclosed in a tough, flexible polyamide jacket.
- Small minimum bend radius.
- Custom lengths and end fittings available upon request.



1/4-28 THREADED LANCES	SWIVEL SIZE	TOOL END CONNECTION	LENGTH		INSIDE DIA.		OUTER DIA.		CRIMP DIA.		MAWP		WEIGHT		MIN. BEND RAD.	
			ft	m	in	mm	in	mm	in	mm	psi	bar	lb/ft	kg/m	in	mm
ACHO H34035FTM4NZLM	9/16" Type M	1/4"-28 LH Male BP	35	10.7	0.13	3	0.031	8	0.47	12.1	29000	2000	0.090	0.135	4.33	110
ACHO H34035FTM4NZRF	9/16" Type M	1/4"-28 RH Female	35	10.7	0.13	3	0.031	8	0.47	12.1	29000	2000	0.090	0.136	4.33	110
ACHO H34035FTM4NZRM	9/16" Type M	1/4"-28 RH Male BP	35	10.7	0.13	3	0.031	8	0.47	12.1	29000	2000	0.090	0.137	4.33	110
ACHO H34050FTM4NZLM	9/16" Type M	1/4"-28 LH Male BP	50	15.25	0.13	3	0.031	8	0.47	12.1	29000	2000	0.090	0.138	4.33	110
ACHO H34050FTM4NZRF	9/16" Type M	1/4"-28 RH Female	50	15.25	0.13	3	0.031	8	0.47	12.1	29000	2000	0.090	0.139	4.33	110
ACHO H34050FTM4NZRM	9/16" Type M	1/4"-28 RH Male BP	50	15.25	0.13	3	0.031	8	0.47	12.1	29000	2000	0.090	0.140	4.33	110
ACHO H42H035FTM4NZRM	9/16" Type M	1/4"-28 RH Male BP	35	10.7	0.16	4	0.32	8	0.394	10	20300	1400	0.075	0.112	2.95	75
ACHO H42H050FTM4NZRM	9/16" Type M	1/4"-28 RH Male BP	50	15.25	0.16	4	0.32	8	0.394	10	20300	1400	0.075	0.113	2.95	75
ACHO H44025FTM4NZLM	9/16" Type M	1/4"-28 LH Male BP	25	7.62	0.16	4	0.41	10.3	0.57	14.7	31900	2200	0.157	0.234	5.12	130
ACHO H44025FTM4NZRM	9/16" Type M	1/4"-28 RH Male BP	25	7.62	0.16	4	0.41	10.3	0.57	14.7	31900	2200	0.157	0.235	5.12	130
ACHO H44035FTM4NZLM	9/16" Type M	1/4"-28 LH Male BP	35	10.7	0.16	4	0.41	10.3	0.57	14.7	31900	2200	0.157	0.236	5.12	130
ACHO H44035FTM4NZRF	9/16" Type M	1/4"-28 RH Female	35	10.7	0.16	4	0.41	10.3	0.57	14.7	31900	2200	0.157	0.237	5.12	130
ACHO H44035FTM4NZRM	9/16" Type M	1/4"-28 RH Male BP	35	10.7	0.16	4	0.41	10.3	0.57	14.7	31900	2200	0.157	0.238	5.12	130
ACHO H44050FTM4NZLM	9/16" Type M	1/4"-28 LH Male BP	50	15.25	0.16	4	0.41	10.3	0.57	14.7	31900	2200	0.157	0.239	5.12	130
ACHO H44050FTM4NZRF	9/16" Type M	1/4"-28 RH Female	50	15.25	0.16	4	0.41	10.3	0.57	14.7	31900	2200	0.157	0.240	5.12	130
ACHO H44050FTM4NZRM	9/16" Type M	1/4"-28 RH Male BP	50	15.25	0.16	4	0.41	10.3	0.57	14.7	31900	2200	0.157	0.241	5.12	130
3/8-24 THREADED LANCES	SWIVEL SIZE	TOOL END CONNECTION	LENGTH		INSIDE DIA.		OUTER DIA.		CRIMP DIA.		MAWP		WEIGHT		MIN. BEND RAD.	
ACHO H54035FTM6NZLM	9/16" Type M	3/8"-24 LH Male BP	35	10.7	0.2	5	0.44	11.2	0.59	15	26100	1800	0.174	0.260	5.91	150
ACHO H54035FTM6NZRF	9/16" Type M	3/8"-24 RH Female	35	10.7	0.2	5	0.44	11.2	0.59	15	26100	1800	0.174	0.261	5.91	150
ACHO H54035FTM6NZRM	9/16" Type M	3/8"-24 RH Male BP	35	10.7	0.2	5	0.44	11.2	0.59	15	26100	1800	0.174	0.262	5.91	150
ACHO H54050FTM6NZLM	9/16" Type M	3/8"-24 LH Male BP	50	15.25	0.2	5	0.44	11.2	0.59	15	26100	1800	0.174	0.263	5.91	150
ACHO H54050FTM6NZRF	9/16" Type M	3/8"-24 RH Female	50	15.25	0.2	5	0.44	11.2	0.59	15	26100	1800	0.174	0.264	5.91	150
ACHO H54050FTM6NZRM	9/16" Type M	3/8"-24 RH Male BP	50	15.25	0.2	5	0.44	11.2	0.59	15	26100	1800	0.174	0.265	5.91	150
ACHO H64035FTM6NZLM	9/16" Type M	3/8"-24 LH Male BP	35	10.7	0.25	6.3	0.5	12.6	0.64	16.4	21750	1500	0.198	0.29	7.09	108
ACHO H64035FTM6NZRF	9/16" Type M	3/8"-24 RH Female	35	10.7	0.25	6.3	0.5	12.6	0.64	16.4	21750	1500	0.198	0.296	7.09	108
ACHO H64035FTM6NZRM	9/16" Type M	3/8"-24 RH Male BP	35	10.7	0.25	6.3	0.5	12.6	0.64	16.4	21750	1500	0.198	0.297	7.09	108
ACHO H64050FTM6NZLM	9/16" Type M	3/8"-24 LH Male BP	50	15.25	0.25	6.3	0.5	12.6	0.64	16.4	21750	1500	0.198	0.298	7.09	108
ACHO H64050FTM6NZRF	9/16" Type M	3/8"-24 RH Female	50	15.25	0.25	6.3	0.5	12.6	0.64	16.4	21750	1500	0.198	0.299	7.09	108
ACHO H64050FTM6NZRM	9/16" Type M	3/8"-24 RH Male BP	50	15.25	0.25	6.3	0.5	12.6	0.64	16.4	21750	1500	0.198	0.300	7.09	108
TYPE M SUPPLY HOSES	SWIVEL SIZE	SWIVEL SIZE	LENGTH		INSIDE DIA.		OUTER DIA.		CRIMP DIA.		MAWP		WEIGHT		MIN. BEND RAD.	
ACHO H134H010FTMSC	1" Type M	1" Type M	10	3.9	.5	12.8	0.87	22	1.07	27.4	20300	1400	0.536	0.800	7.87	200
ACHO H134H050FTMS	1" Type M	1" Type M	10	3.9	.5	12.8	0.87	22	1.07	27.4	20300	1400	0.536	0.800	7.87	200
ACHO H134H050FTMSCL	1" Type M	1" Type M	10	3.9	.5	12.8	0.87	22	1.07	27.4	20300	1400	0.536	0.800	7.87	200

Continued on next page.