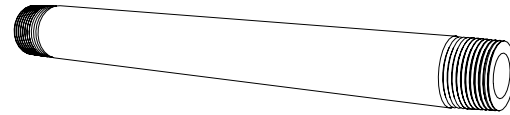


FITTINGS 15K PSI (1000 BAR)

NIPPLES/STINGERS — PIPE THREAD (NPT)

- Stainless steel
- Additional lengths available upon request



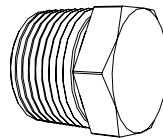
PART NO.	CONNECTION TYPE	O.D. IN/MM	I.D. IN/MM	MAXIMUM OPERATING PRESSURE		STOCK LENGTHS IN INCHES
				psi	bar	
SA 527-P1P1-XX	1/16" NPT	0.310/7.9	0.182/4.6	15k	1000	12, 18, 24, 36, 48
SA 325-P2P2-XX	1/8" NPT	0.405/10.3	0.215/5.5	15k	1000	12, 18, 24, 36, 49
SA 335-P4P4-XX	1/4" NPT	0.540/13.7	0.302/7.7	15k	1000	12, 18, 24, 36, 50
SA 347-P6P6-XX	3/8" NPT	0.675/17.1	0.415/10.5	15k	1000	4, 8, 10, 12, 18, 24, 36, 48
SA 356-P8P8-XX	1/2" NPT	0.640/21.3	0.534/13.6	15k	1000	3, 4, 6, 8, 10, 12, 18, 24, 36, 48
SA 366-P12P12-XX	3/4" NPT	1.05/26.7	0.614/15.6	15k	1000	3, 4, 5, 6, 12, 18, 22, 27, 30, 36, 40, 44, 53, 60
SA 376-P16P16-XX	1" NPT	1.315/33.4	0.599/15.2	12k	830	6, 8, 18

XX = Length in inches.

PLUGS — PIPE THREAD (NPT)

HEX HEAD

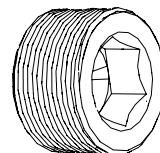
- Stainless steel



PART NO.	CONNECTION TYPE	MATERIAL	MAXIMUM OPERATING PRESSURE	
			psi	bar
AP2 002	1/8" NPT	Stainless	15k	1000
GP 026-P4SS	1/4" NPT	Stainless	15k	1000
GP 026-P6SS	3/8" NPT	Stainless	15k	1000
GP 025-P8C	1/2" NPT	Carbon	15k	1000
GP 026-P8SS	1/2" NPT	Stainless	15k	1000
GP 026-P12C	3/4" NPT	Carbon	15k	1000
GP 026-P12SS	3/4" NPT	Stainless	15k	1000
GP 026-P16SS	1" NPT	Stainless	15k	1000

SOCKET HEAD

- Stainless steel



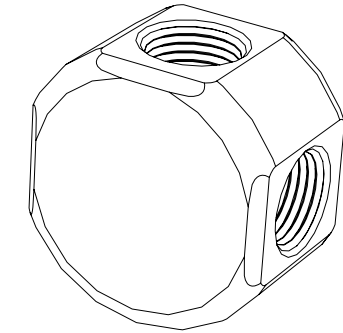
PART NO.	CONNECTION TYPE	MATERIAL	MAXIMUM OPERATING PRESSURE	
			psi	bar
GP 025-P1SS	1/16" NPT	Stainless	15k	1000
GP 025-P2SS	1/8" NPT	Stainless	15k	1000
GP 025-P4C	1/4" NPT	Carbon	15k	1000
GP 025-P4SS	1/4" NPT	Stainless	15k	1000
GP 025-P6SS	3/8" NPT	Stainless	15k	1000
GP 025-P8C	1/2" NPT	Carbon	15k	1000
GP 025-P8SS	1/2" NPT	Stainless	15k	1000
GP 025-P12C	3/4" NPT	Carbon	15k	1000
GP 025-P12SS	3/4" NPT	Stainless	15k	1000

FITTINGS 15K PSI (1000 BAR)

WAFER TEES — PIPE THREAD (NPT)

- Stainless steel

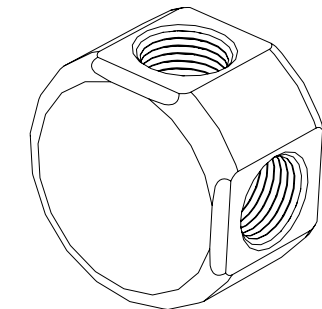
PART NO.	CONNECTION TYPE	MAXIMUM OPERATING PRESSURE	
		psi	bar
GP 030-P12	3/4" NPT Female	15k	1000
GP 030-P16	1" NPT Female	12k	830
GP 030-P8	1/2" NPT Female	15k	1000



90° WAFER ELBOWS — PIPE THREAD (NPT)

- Stainless steel

PART NO.	CONNECTION TYPE	MAXIMUM OPERATING PRESSURE	
		psi	bar
GP 050-P8P8	1/2" NPT Female	15k	1000
GP 050-P12P12	3/4" NPT Female	15k	1000
GP 050-P16P16	1" NPT Female	12k	830



45° WAFER ELBOWS — PIPE THREAD (NPT)

- Stainless steel

PART NO.	CONNECTION TYPES		MAXIMUM OPERATING PRESSURE	
	Connection 1	Connection 2	psi	bar
GP 050-P16P16-45	1" NPT Female	1" NPT Female	12k	830

