

ROTARY TOOLS TUBE CLEANING

ROTARY TOOLS TUBE CLEANING

BEETLE™ BT25, BT18, BT12, BT9.5

The small diameter and short length of the Beetle models make them ideal for cleaning process piping, drain lines, u-tube bundles and other small ID tubes with bends and elbows that may have been inaccessible in the past.

- ✔ Navigates tight curves in small diameter pipes
- ✔ Low cost, low maintenance design
- ✔ Easy to pair with automated flex lance machines



BT25 **BT18** **BT12** **BT9.5**

NEW BEETLE BT9.5
Designed specifically for cleaning curved tubes/pipes from 0.37 in. (9.5 mm) I.D.

The BT25 navigates bends down to a 2 in. (51 mm) radius.



	BT25	BT18	BT12	NEW BT9.5
TUBE ID RANGE	1.2–3.0 in. (30–76 mm)	0.9–1.3 in. (22–33 mm)	0.6–1.0 in. (15–25 mm)	0.47–0.63 in. (2–16 mm)
PRESSURE RANGE	8–22k psi (550–1500 bar)	8–22k psi (550–1500 bar)	8–22k psi (550–1500 bar)	8–15k psi 550 (1035 bar) 8–22k psi 550 (1500 bar)
FLOW RANGE	8–20 gpm (30–76 l/min)	8.5–11 gpm (32–42 l/min)	6.5–8.5 gpm (25–32 l/min)	5–6 GPM (19–23 l/min)
INLET CONNECTIONS	1/8" NPT, 1/4" NPT, 1/4" BSPP, 3/8"-28 LH/RH, 9/16"-18 LH/RH	P1, P2, BSPP2, MP6L, MP6R, MP4L, MP4R	P1, M7, MP4L, MP4R	P1, M7
DIAMETER	1.0 in. (26 mm)	0.7 in. (18 mm)	0.5 in. (12 mm)	0.37 in. (9.5 mm)
LENGTH	1.9 in. (48 mm)	1.5 in. (39 mm)	1.3 in. (39 mm)	1.4 in. (35 mm)



STONEAGE RENTS
Rely on us to meet your surge capacity needs



STONEAGE DEMO TRAILER
Experience the power of StoneAge equipment at your location



STONEAGE TRAINING
Expert training for the safe and effective use of waterjetting equipment



WARRANTY
StoneAge warranties its products to be free from defects in workmanship and material for a period of one (1) year from the date of purchase

GOPHER™

Speed Controlled Rotary Cleaning for Tubes 2–6 Inches (51–152 mm) in Diameter

The Gopher self-rotary tool is ideal for cleaning evaporator tubes and a variety of process lines. It is ideal for cutting through coke, polymers, coatings and latex. The Gopher is offered in two pressure ranges up to 40,000 psi (2800 bar).



- ✔ Head rotation provides complete internal coverage while speed control delivers optimum jet dwell time
- ✔ Two head options available: 7 port unplugging option for forward hitting power and a 6 port polisher head for IRIS inspection polishing
- ✔ Easily re-jet the Gopher for more pulling force or forward hitting power depending on the needs of the job

TOOL MODEL	PRESSURE RANGE	FLOW RANGE	INLET CONNECTION	ROTATION SPEED	WEIGHT	MAX. OPERATING TEMPERATURE
GO-MP9	2–22k psi 140–1500 bar	18–25 gpm 30–95 l/min	9/16" MP	600–1000 rpm	3.0 lb 1.36 kg	160 °F 70 °C
GO-H9-C	22k–40k psi 1500–2800 bar	4–10 gpm 15–40 l/min	9/16" HP	600–1000 rpm	3.3 lb 1.5 kg	160 °F 70 °C

GO 075 SKID CENTRALIZERS



PIPE SIZE	CENTRALIZER	WEIGHT
3 in. 76 mm	GO 075-3	0.3 lb 0.1 kg
4.5 in. 114 mm	GO 075-4.5	0.4 lb 0.2 kg

GO 070 SKID CENTRALIZERS

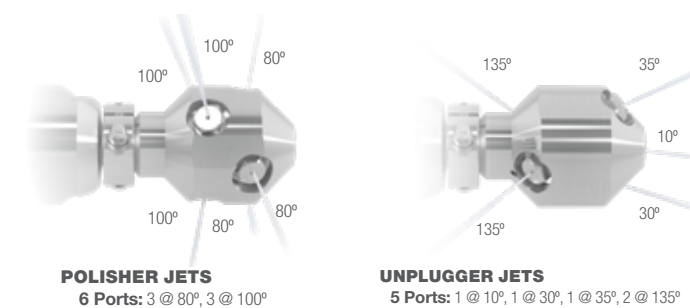


PIPE SIZE	CENTRALIZER	WEIGHT	COLLAR*	SKID**
4 in. 100 mm	GO 070-4	1.4 lb 0.6 kg	GO 070.1	RJ 070.2-4
5 in. 127 mm	GO 070-5	1.6 lb 0.7 kg	GO 070.1	RJ 070.2-5
6 in. 152 mm	GO 070-6	1.9 lb 0.9 kg	GO 070.1	RJ 070.2-6
8 in. 203 mm	GO 070-8	2.2 lb 1.0 kg	GO 070.1	RJ 070.2-8
12 in. 305 mm	GO 070-12	4.0 lb 1.8 kg	GO 070.1	RJ 070.2-12

*Set of 2 collars

**Set of 3 skids with 6 screws

TWO STANDARD HEAD CONFIGURATIONS



GOPHER HEAD SELECTION

MODEL	GO-MP9	GO-H9-C
POLISHER LF	7-14 gpm (27-53 l/min)	4-7 gpm (20-27 l/min)
MODEL	GO 042-R.14	GO 342-R.14
POLISHER HF	14-25 gpm (53-95 l/min)	7-12 gpm (27-45 l/min)
MODEL	GO 042-R.07	GO 342-R.08
UNPLUGGER LF	8-15 gpm (30-57 l/min)	4-7 gpm (20-27 l/min)
MODEL	GO 043-R.17	GO 343-R.18
UNPLUGGER HF	15-25 gpm (57-95 l/min)	7-12 gpm (27-45 l/min)
MODEL	GO 043-R.08	GO 343-R.08

MAINTENANCE RESOURCES

SWIVEL	SERVICE KIT	SEAL KIT	OVERHAUL KIT	TOOL KIT	LUBRICANT	MANUAL
GO-MP9	GO 600	GO 602	GO 610	GO 612	GP 044	PL 511
GO-H9-C	GO 600-H9-C	BC 602-H9-C	GO 610-H9-C	GO 612	GP 044	PL 510