

ROTARY TOOLS TUBE CLEANING

BANSHEE TUBE CLEANING NOZZLES

High pressure water acts as a liquid bearing, thereby eliminating ball bearings, seals or lubricant used in conventional rotary tools. Each tool is easily configured to suit any application by choosing from a variety of replaceable heads and inlet options.

IDEAL FOR:

- ✓ Unplugging, cleaning and polishing tubes, such as those found in heat exchangers and industrial tube bundles
- ✓ Effectively removes thin, hard scale, carbons, coke and polymers
- ✓ Banshee Beetle models are designed to work around tight radiused bends



22K PSI (1500 BAR)



BN33 1.5-2.4 in. I.D. Tubes (38-60 mm)



BN27-40K 1.25-2.0 in. I.D. Tubes (32-51 mm)



BN24 1.1-1.8 in. I.D. Tubes (28-46 mm)



BN18-44K 0.87-1.3 in. I.D. Tubes (22-33 mm)



BN18 0.87-1.3 in. I.D. Tubes (22-33 mm)



BN15 0.75-1.2 in. I.D. Tubes (19-30 mm)



BN13-44K 0.60-1.0 in. I.D. Tubes (15-25 mm)



BN13 0.60-1.0 in. I.D. Tubes (15-25 mm)



BN9.5 0.47-0.63 in. I.D. Tubes (12-16 mm)

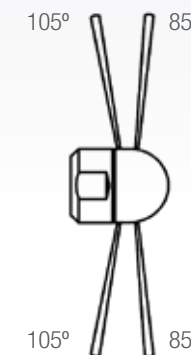
BANSHEE ROTARY TUBE CLEANING TOOLS

The Stoneage Banshee has only four parts. Each part can be replaced individually to maximize the life of your tool.



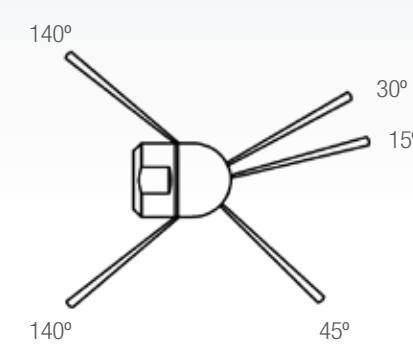
BANSHEE SPECIFICATIONS 22K PSI (1500 BAR)

	TUBE I.D. RANGE	MAX. PRESSURE	MAX. PRESSURE (BSPP INLET)	FLOW RANGE	INLET CONNECTIONS	DIAMETER	LENGTH
BN9.5	0.47-0.63 in. 12-16 mm	22k psi 1500 bar	N/A	4.5-8 gpm 17-30 l/min	M7, 1/16" NPT, 1/4" LH or 1/4" RH	0.37 in. 9.5 mm	2.6 in. 65 mm
BN13	0.60-1.0 in. 15-25 mm	22k psi 1500 bar	18k psi 1250 bar	7-10 gpm 27-38 l/min	1/8" NPT, 1/8" BSPP, 1/4" LH, 1/4" RH, 3/8" LH or 3/8" RH	0.50 in. 13 mm	2.9 in. 74 mm
BN15	0.75-1.2 in. 19-30 mm	22k psi 1500 bar	18k psi 1250 bar	8-10 gpm 30-38 l/min	1/8" NPT, 1/8" BSPP, 3/8" LH/RH	0.6 in. 15 mm	3.0 in. 76 mm
BN18	0.87-1.3 in. 22-33 mm	22k psi 1500 bar	20k psi 1400 bar	8-14 gpm 30-53 l/min	1/4" NPT, 1/4" BSPP, 9/16" LH or 9/16" RH	0.69 in. 18 mm	3.8 in. 97 mm
BN24	1.1-2 in. 28-51 mm	22k psi 1500 bar	22k psi 1500 bar	12-25 gpm 45-95 l/min	3/8" NPT, 3/8" BSPP, 9/16" LH or 9/16" RH	0.93 in. 24 mm	5.1 in. 130 mm
BN33	1.5-2.4 in. 38-60 mm	22k psi 1500 bar	15k psi 1000 bar	12-49 gpm 45-190 l/min	1/2" NPT, 1/2" BSPP, or 9/16" MP	1.3 in. 33 mm	6.9 in. 180 mm
BT12	0.60-1.0 in. 15-25 mm	22k psi 1500 bar	N/A	Up to 8.5 gpm 32 l/min	P1, M7, MPL4, MPR4	0.50 in. 13 mm	1.3 in. 33 mm
BT18	0.87-1.3 in. 22-33 mm	22k psi 1500 bar	18k psi 1250 bar	Up to 11 gpm 42 l/min	P1, P2, BSPP2, MPL6, MPR6, MPL4, MPR4	0.69 in. 18 mm	1.5 in. 39 mm
BT25	1.2-3.0 in. 30-76 mm	8-22k psi 550-1500 bar	N/A	8-20 gpm 30-76 l/min	1/8" NPT, 1/4" NPT, 1/4" BSPP, 3/8"-28 LH/RH, 9/16"-18 LH/RH	1.0 in. 26 mm	1.9 in. 48 mm



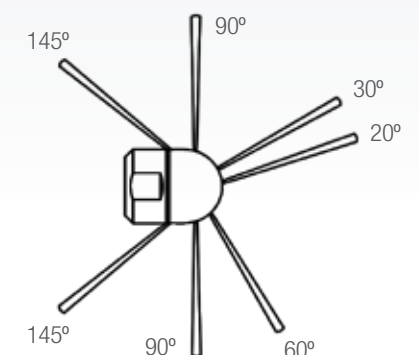
UNPLUGGER

5 Ports: 1 @ 15°, 1 @ 30°
1 @ 45°, 2 @ 145°



POLISHER

4 Ports: 2 @ 85°, 2 @ 105°



UNIVERSAL

7 Ports: 1 @ 20°, 1 @ 30°
1 @ 60°, 2 @ 90°, 2 @ 145°

OPERATING WATERBLASTING EQUIPMENT CAN BE POTENTIALLY HAZARDOUS.

See page 9.10 for important safety information