

CUSTOM SOLUTIONS

Custom engineered waterblasting solutions for your most challenging jobs.



Coke and refractory removal



Drill pipe cleaning



Condenser tube cleaning



Tunnel cleaning



Domed bundle tube cleaning



Boiler tube cleaning

The StoneAge Solutions team can design custom engineered solutions. From simple product modifications, to comprehensive turnkey packages, we help contractors and plants clean the most difficult applications.

The StoneAge Solutions team offers:

- ✔ Custom Engineered Equipment
- ✔ Safety, product and application training
- ✔ Technical support on hard-to-clean applications
- ✔ Most Effective Technology (MET) reports

FOR MORE ABOUT HOW TO CUSTOMIZE THESE TOOLS PLEASE CONTACT OUR SOLUTIONS DEPARTMENT

970.403.1437

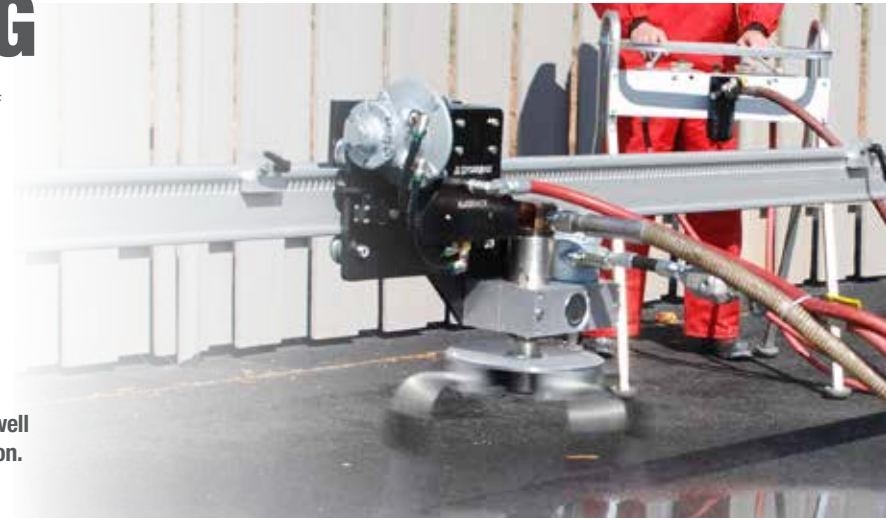
SOLUTIONS@STONEAGETOOLS.COM

CUSTOM SOLUTIONS SURFACE CLEANING

The StoneAge Solutions team can customize the components of our versatile Blastrack system to handle surface cleaning applications and eliminate the need for manual shotgunning.

Tell us what you need to clean and we'll tailor the system exactly for your job.

- ✔ Clean any large horizontal or vertical surface
- ✔ Configure for any pressure and flow
- ✔ Ideal for cleaning the external side of boiler tubes and pipes, as well as conveyors, tunnel walls, stacks, and even concrete scarification.



CUSTOM SOLUTIONS

COMPONENTS OF THE BLASTRACK SYSTEM

TRACTOR

Choose from Air or Hydraulic powered tractors to drive traverse and rotation functions.

BOX RAIL

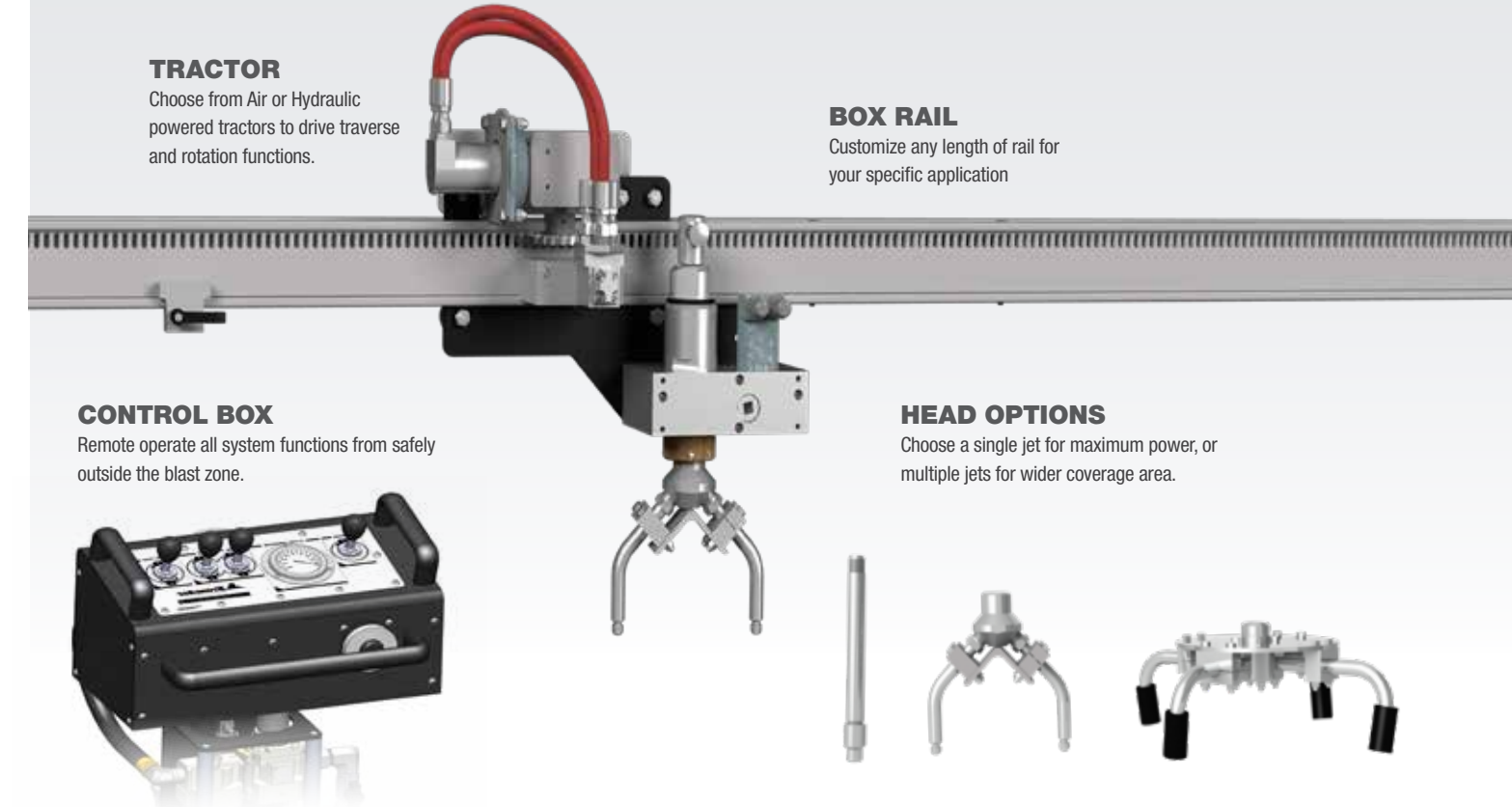
Customize any length of rail for your specific application

CONTROL BOX

Remote operate all system functions from safely outside the blast zone.

HEAD OPTIONS

Choose a single jet for maximum power, or multiple jets for wider coverage area.



BLASTRACK SYSTEM IN ACTION



COKE AND REFRACTORY REMOVAL



CONDENSER TUBE CLEANING



DRILL PIPE CLEANING



TUNNEL CLEANING