

# CURVED PIPE CLEANING

## 6" BADGER

The 6" Badger is a compact self-rotary nozzle with adjustable speed control capable of navigating 90 degree elbows in pipes as small as 6" (152 mm) in diameter.

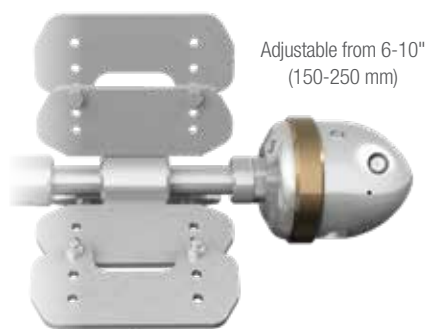
- ✓ Different jetting configurations allow for more or less pull and forward hitting power
- ✓ Navigates elbows down to 6 in. (152 mm)
- ✓ Speed controlled rotary tools provide complete internal cleaning coverage and optimum jet delivery
- ✓ Maximize cleaning by choosing slower speeds for hard to clean or plugged pipes and faster speeds for polishing easy to clean pipes with a single tool
- ✓ Optimize the tool for a variety of pumps pressures and flows with multiple jetting options
- ✓ Pair with the ABX-500 for hands-free pipe cleaning



TOOL MODEL	PRESSURE RANGE	FLOW RANGE	ROTATION SPEED	INLET CONNECTION	WEIGHT	MAX. OPERATING TEMPERATURE
BA-MP9/BA-M24	12–22k psi 840–1500 bar	14–43 gpm 53–163 l/min	50–300 rpm (Adjustable)	9/16" MP, M24	8.0 lbs 3.6 kg	250 °F 120 °C
BA-P8	2–15k psi 140–1000 bar	15–55 gpm 57–208 l/min	50–300 rpm (Adjustable)	1/2" NPT	8.0 lbs 3.6 kg	250 °F 120 °C

## OPTIONAL CENTRALIZERS

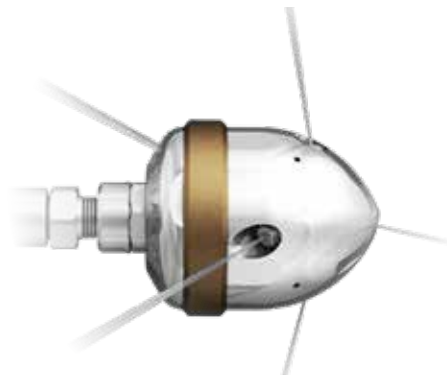
Helps protect the tool as it passes through the pipe and balances jet standoff distance for more consistent cleaning. In cases where pipe size is more than 1.5 times the diameter of the tool, a centralizer is an important safety device, preventing the tool from turning around and thrusting backwards out of the pipe.



BA 385 M9/P8

## NOZZLES AND PLUGS

The 6" Badger can be jetted in different configurations depending on the application. The image below shows the standard nozzle/plug configuration for the 6" Badger tool.

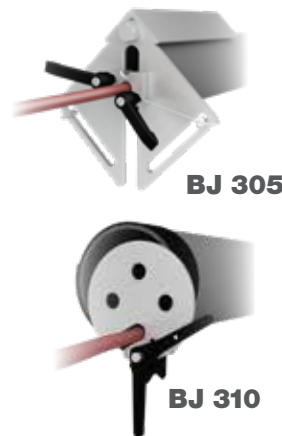


### 6" BADGER JETS

5 Ports: 1 @ 15°, 2 @ 100°, 2 @ 135°

## BACKOUT PREVENTERS

Increase safety by keeping the tool from backing out of the pipe. Several options are available including fixtures for small diameter pipes, pipes with various flange bolt circle diameters and adapters for pipes with no-flange entry.



## MAINTENANCE RESOURCES

TOOL	SEAL KIT	SERVICE KIT	OVERHAUL KIT	DISK KIT	TOOL KIT	LUBRICANT	MANUAL
BA-P8	BA 602-P8/MP9	BA 600-P8/MP9	BA 610-P8/M9	BA 606	BA 612-P8/MP9	BJ 048-F	PL 503
BA-M24	BA 602-P8/MP9	BA 600-P8/MP9	BA 610-P8/M9	BA 606	BA 612-P8/MP9	BJ 048-F	PL 503
BA-MP9	BA 602-P8/MP9	BA 600-P8/MP9	BA 610-P8/M9	BA 606	BA 612-P8/MP9	BJ 048-F	PL 503

## BEETLE™ BT25, BT18, BT12, BT9.5

The small diameter and short length of the Beetle models make them ideal for cleaning process piping, drain lines, u-tube bundles and other small ID tubes with bends and elbows that may have been inaccessible in the past.

- ✓ Navigates tight curves in small diameter pipes
- ✓ Low cost, low maintenance design
- ✓ Easy to pair with the ProDrive and Navigator



### NEW BEETLE BT9.5

Designed specifically for cleaning curved tubes/pipes from 0.37 in. (9.5 mm) I.D.

	BT25	BT18	BT12	NEW BT9.5
TUBE ID RANGE	1.2–3.0 in. (30–76 mm)	0.9–1.3 in. (22–33 mm)	0.6–1.0 in. (15–25 mm)	0.47–0.63 in. (2–16 mm)
PRESSURE RANGE	8–22k psi (550–1500 bar)	8–22k psi (550–1500 bar)	8–22k psi (550–1500 bar)	8–15k psi 550 (1035 bar) 8–22k psi 550 (1500 bar)
FLOW RANGE	8–20 gpm (30–76 l/min)	8.5–11 gpm (32–42 l/min)	6.5–8.5 gpm (25–32 l/min)	5–6 GPM (19–23 l/min)
INLET CONNECTIONS	1/8" NPT, 1/4" NPT, 1/4" BSPP, 3/8"-28 LH/RH, 9/16"-18 LH/RH	P1, P2, BSPP2, MP6L, MP6R, MP4L, MP4R	P1, M7, MP4L, MP4R	P1, M7
DIAMETER	1.0 in. (26 mm)	0.7 in. (18 mm)	0.5 in. (12 mm)	0.37 in. (9.5 mm)
LENGTH	1.9 in. (48 mm)	1.5 in. (39 mm)	1.3 in. (39 mm)	1.4 in. (35 mm)

**OPERATING WATERBLASTING EQUIPMENT CAN BE POTENTIALLY HAZARDOUS.**



See page 9.10 for important safety information