

RIGID LANCE MACHINE

StoneAge Rigid Lance Machines are the industry standard for both horizontal and vertical rigid lance cleaning of heat exchangers. These systems operate up to three rotary lances and provide more forward jet power than flex-lancing to clean difficult deposits. Fully remote operation increases safety by removing the operator from the splash-back area.

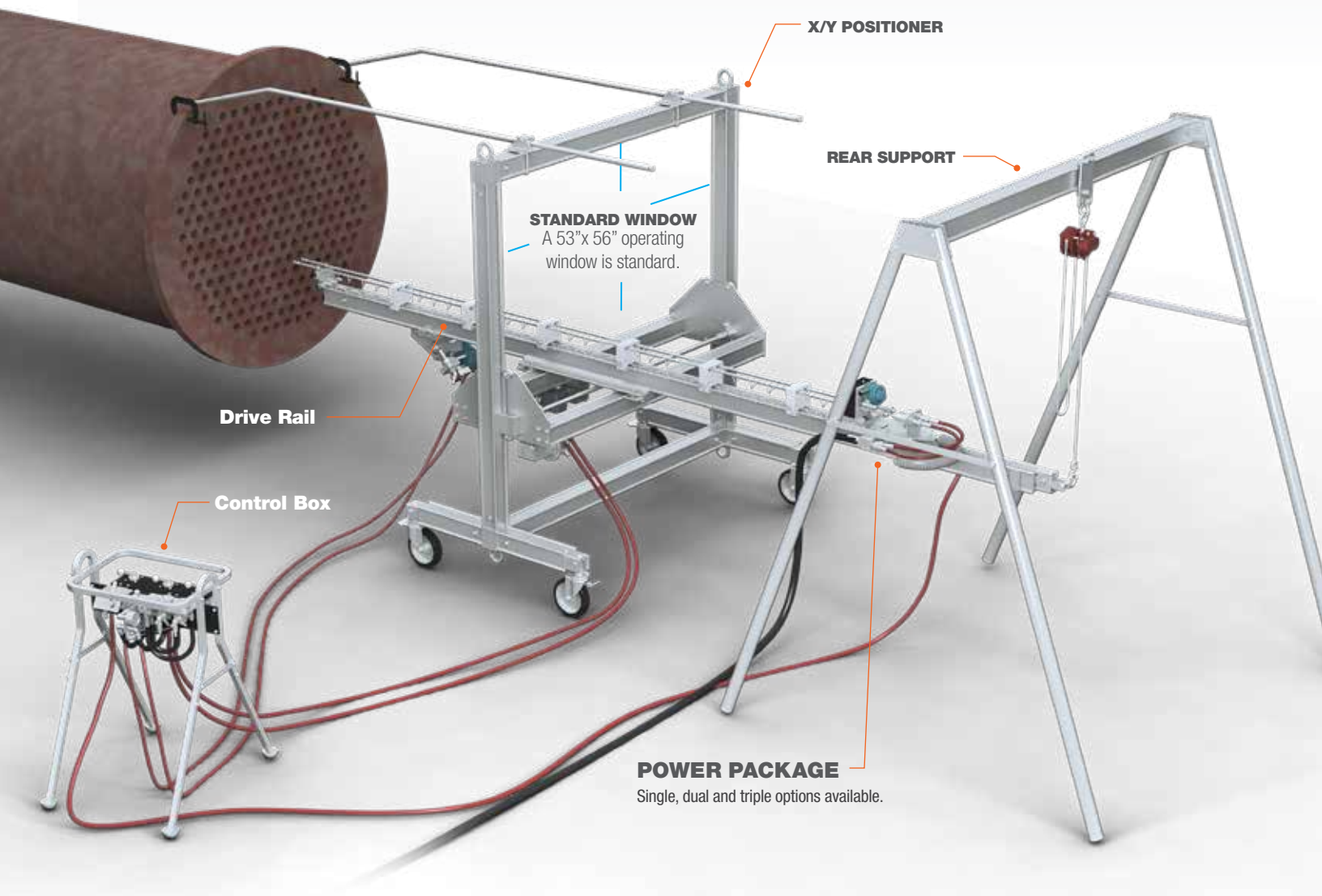
MODEL	BRLM
PRESSURE RANGE	Up to 44k psi 3000 bar
FLOW RANGE	Up to 60 gpm 227 l/min
MAX. RAIL LENGTH	60 ft 18 m
FEED RATE	0.3-1.2 ft/s 0.1-0.37 m/min

FEATURES:

- ✔ Triple, dual, or single lance operation
- ✔ Adapts to any size bundle and can be configured for horizontal or vertical operations to maximize flexibility
- ✔ Operator is removed up to 25 ft (7.6m) away from the splash back area for increased safety
- ✔ Dual coil springs increase safety and stability of guide block
- ✔ Swivel wheels, jack stands and rear supports provide extra stability and support in key points of the system
- ✔ Air or hydraulic powered

IDEAL FOR:

- ✔ Clearing and unplugging vertical and horizontal bundles
- ✔ Cleaning and polishing evaporator tubes
- ✔ Removing thin, hard scale, carbons, coke and polymers



POWER PACKAGE OPTIONS



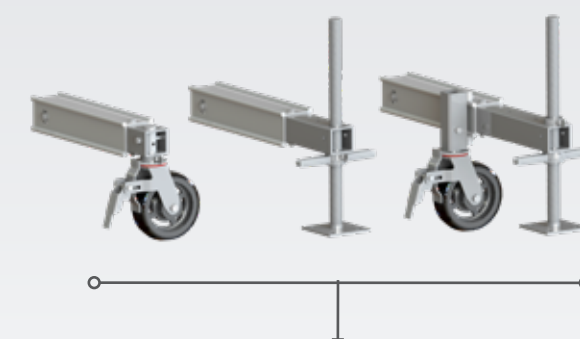
POWER PACKAGE SPECIFICATIONS

MODEL	PART NUMBER	MAXIMUM PRESSURE	INLET CONNECTION	LANCE CONNECTIONS	ROTATION SPEED
DUAL ROTARY	BRLM 351	15/22k psi 1000/1500 bar	3/4" MP	1/8" or 1/4" NPT, 3/8" or 9/16" MP	105-525 rpm
	BRLM 361	44k psi 3000 bar	9/16" HP	3/8" or 9/16" HP	105-525 rpm
TRIPLE ROTARY	BRLM 353-CS	15-22k psi 1000/1500 bar	3/4" MP	1/8" or 1/4" NPT, 3/8" or 9/16" MP	125-620 rpm
	BRLM 363-CS	44k psi 3000 bar	9/16" HP	3/8" or 9/16" HP	125-620 rpm



VERTICAL APPLICATIONS

Excellent for vertical applications as well.



SWIVEL WHEELS & JACK STANDS

There are several wheel kit and jack stand options available. Heavy-duty, locking swivel casters are standard equipment. Not required for vertical lancing applications.