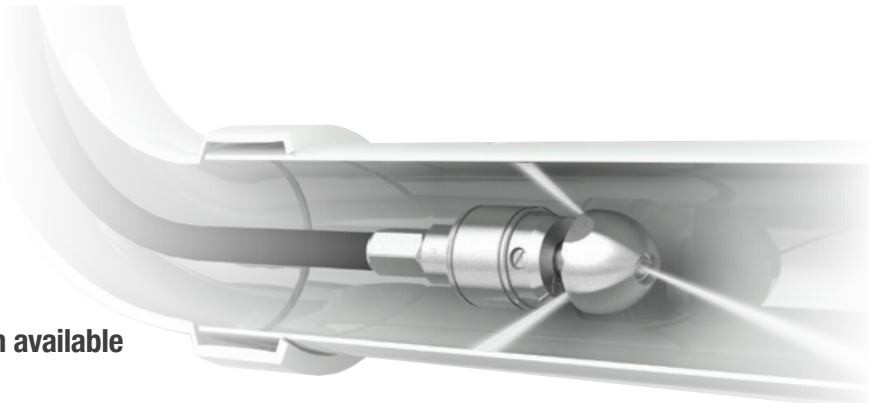


WS CLASSIC

PIPE SIZE: 4-8" LINES (102-203 MM)

INLET: 1/2" NPT OR BSPP

- Navigates sweeping bends
- Whip hose, jointed inlet and direct connection available

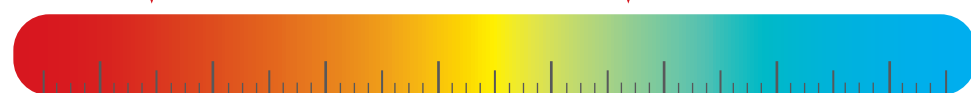


WS-J JOINTED INLET OPTION

The inlet hose rotates to the side, shortening the rigid length of the tool, which allows access to tighter areas.



DESCALING



PULLING

WS HEAD OPTIONS

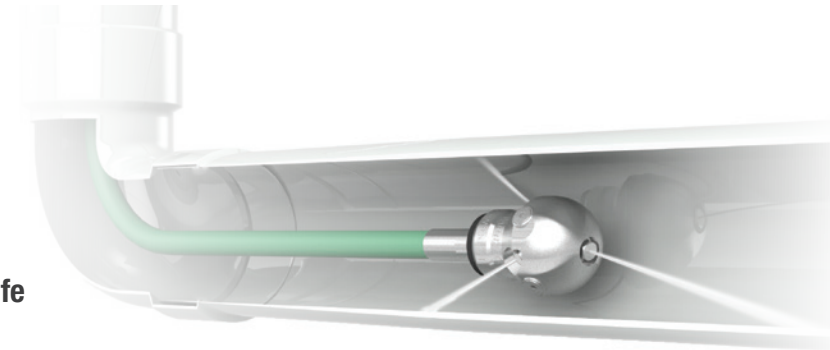
HEAD OPTION	INLET	FLOW RANGE		PRESSURE		MODEL
		GPM	LPM	PSI	BAR	
STANDARD	1/2" NPT OR BSPP	9-21	34-79	1200-5K	83-345	WS-1/2
DESCALER	1/2" NPT OR BSPP	9-21	34-79	1200-5K	83-345	WSDS-1/2

WT CLASSIC

PIPE SIZE: 3-6" LINES (76-152 MM)

INLET: 3/8" AND 1/2" NPT OR BSPP

- Carbide wear buttons extend nozzle life
- Navigates multiple bends



DESCALING



PULLING

WT HEAD OPTIONS

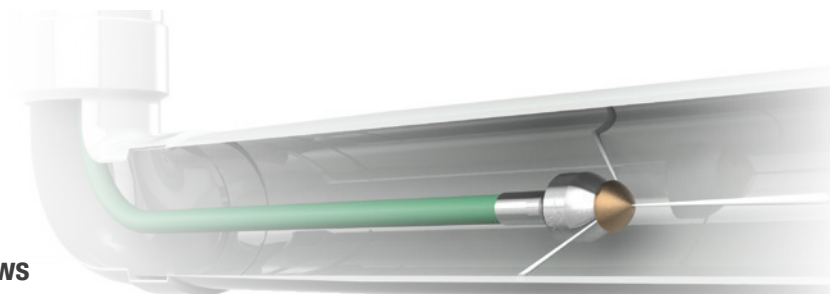
HEAD OPTION	INLET	FLOW RANGE		PRESSURE		MODEL
		GPM	LPM	PSI	BAR	
STANDARD	1/2" NPT OR BSPP	5-21	19-79	1200-5K	83-345	WT-1/2
	3/8" NPT OR BSPP	5-12	19-45	1200-5K	83-345	WT-3/8

WV CLASSIC

PIPE SIZE: 2-4" LINES (51-102 MM)

INLET: 1/4" NPT OR BSPP

- Excellent for navigating multiple elbows
- No high-pressure seals or bearings to maintain
- Easily replaceable heads



DESCALING



PULLING

WV HEAD OPTIONS

HEAD OPTION	INLET	FLOW RANGE		PRESSURE		MODEL
		GPM	LPM	PSI	BAR	
STANDARD	1/4" NPT OR BSPP	3-8	11-30	1200-5K	83-345	WV-1/4-LK