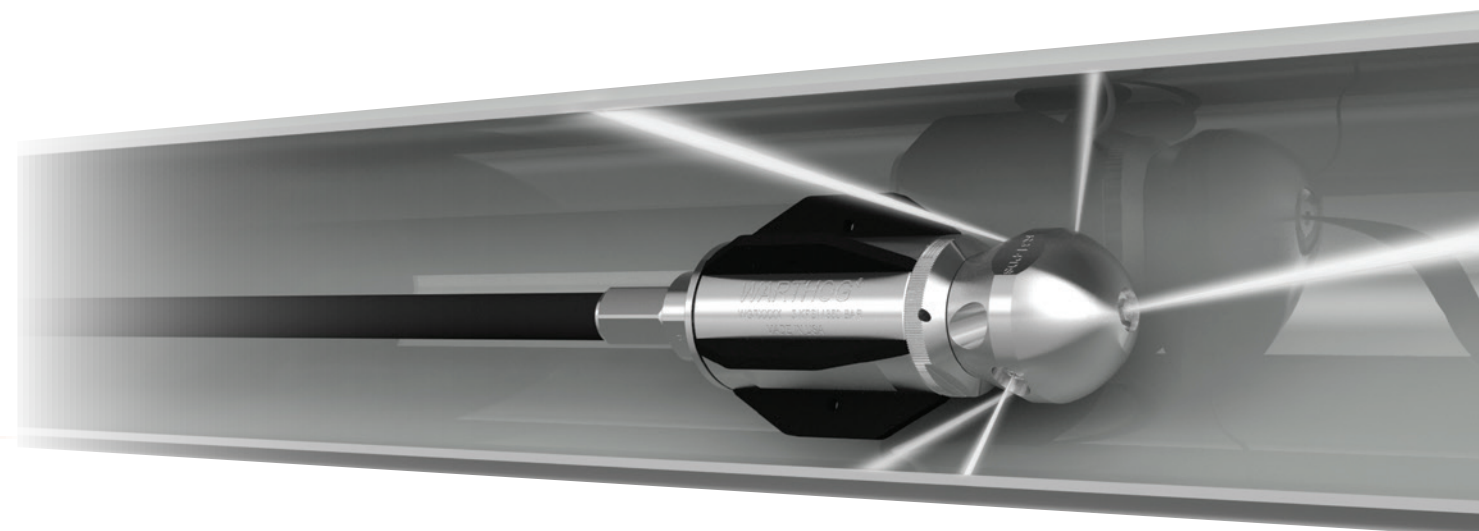


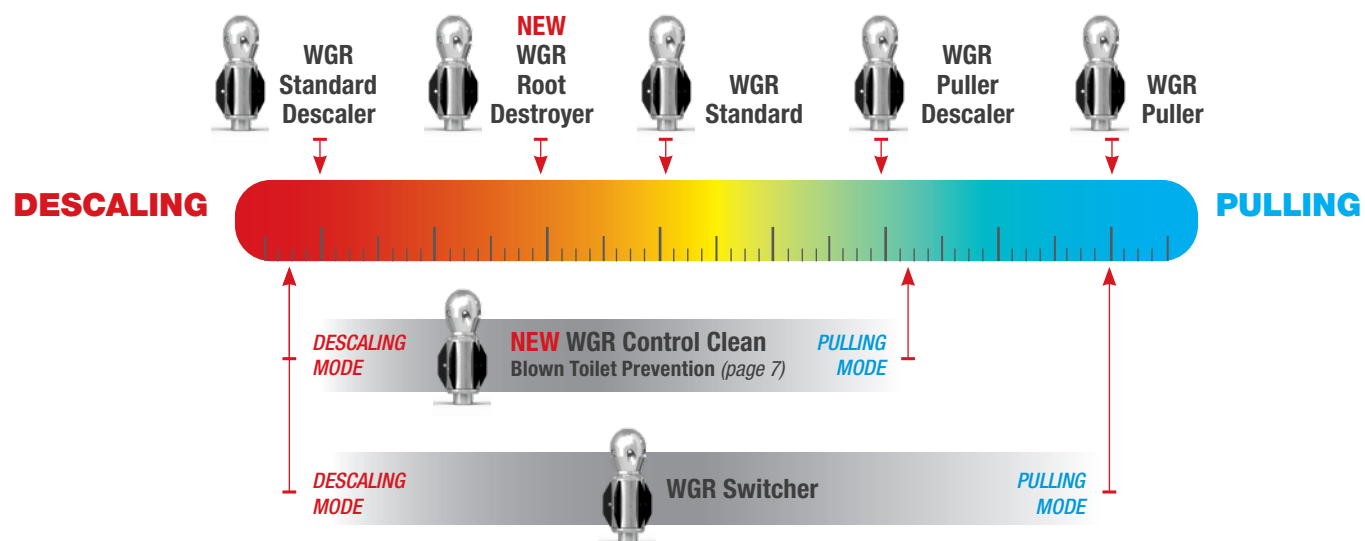
WGR MAGNUM

PIPE SIZE: 8-36" (203-914 MM)
INLET: 1" AND 1-1/4" NPT OR BSPP

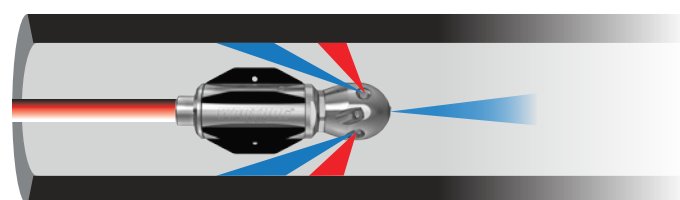
- Extended life, reduced downtime
- Durable carbide nozzles
- Customizable rotation speed



Choose the WGR configuration below that meets the needs of your job – whether you need more **descaling** power, more **pulling** power – or **both!**



The Switcher nozzles, including the **NEW WGR Control Clean** for preventing blown toilets, use patented technology to switch between descaling mode and pulling mode to deliver the most Cleaning Power **AND** Pulling Power.
Learn more on pages 6-7



DESCALING MODE PULLING MODE

WGR HEAD OPTIONS

HEAD OPTION	INLET	FLOW RANGE		PRESSURE		MODEL
		GPM	LPM	PSI	BAR	
STANDARD	1" NPT OR BSPP	50-80	189-303	1200-5K	83-345	WGR-1
PULLER	1" NPT OR BSPP	50-80	189-303	1200-5K	83-345	WGRP-1
STANDARD DESCALER	1" NPT OR BSPP	50-80	189-303	1200-5K	83-345	WGRSD-1
	1 1/4" NPT OR BSPP	80-120	303-454	1200-5K	83-345	WGR-1-1/4
PULLER DESCALER	1" NPT OR BSPP	50-80	189-303	1200-5K	83-345	WGRPD-1
ROOT DESTROYER	1" NPT OR BSPP	50-80	189-303	1200-5K	83-345	WGR-1-RD

WGR SWITCHER HEAD OPTIONS

HEAD OPTION	INLET	FLOW RANGE		PRESSURE		MODEL
		GPM	LPM	PSI	BAR	
BLAST PREVENTION	1" NPT OR BSPP	50-80	189-303	1200-5K	83-345	WGR-1-CC
STANDARD DESCALER	1" NPT OR BSPP	50-80	189-303	1200-5K	83-345	WGR-1-SWT
	1 1/4" NPT OR BSPP	80-120	303-454	1200-5K	83-345	WGR-1-1/4-SWT

WGR ACCESSORIES

See centralizers for the WGR on page 18

8-36" LINES

8-36" LINES