

WHY CONTROLLED ROTATION?

Only rotating nozzles clean the whole pipe – fixed jets do not hit the whole pipe surface leaving “stripes.” A nozzle spinning at high speed creates splash but doesn’t clean much. Warthog nozzles use a fluid braking system to slow nozzle rotation so that the jets have time to penetrate and break up deposits.

NOZZLE OPTIONS



MAGNUM:

- 1600 hour extended service life
- Handles recycled water
- Patented switcher technology
- Use one nozzle for pulling or descaling



CLASSIC:

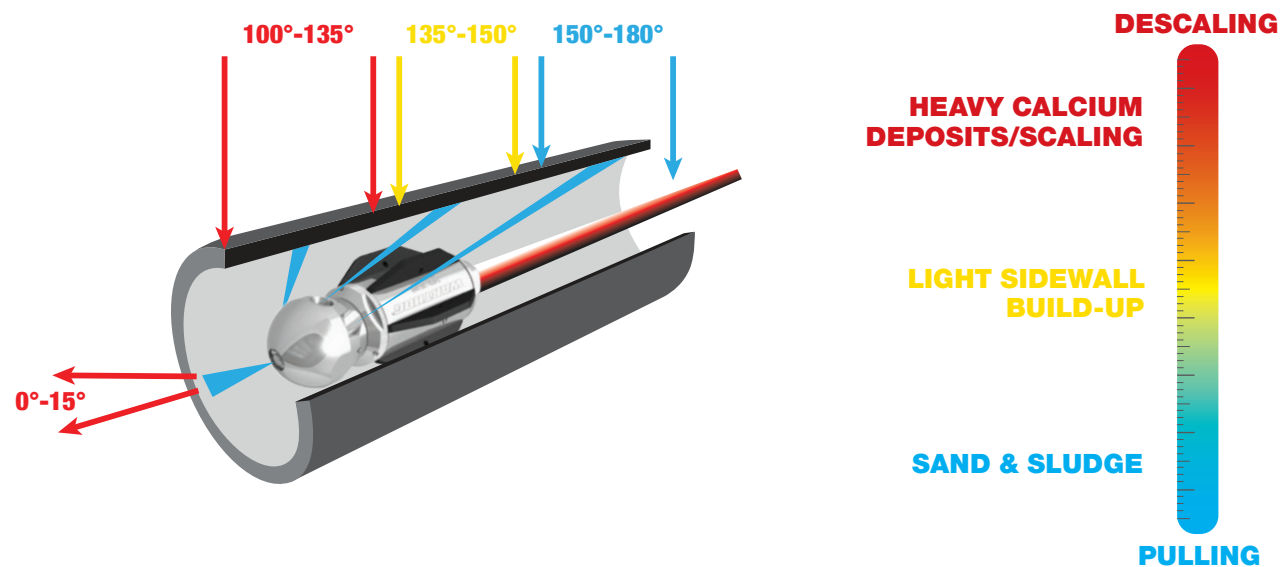
- Full range of sizes for pipes from 2-36"
- Head options for a wide range of flow
- Dependable industry workhorse since 1990

TOOL CONFIGURATION

Warthog sewer nozzles come in standard, descaling, and pulling configurations.

Standard nozzles utilize controlled rotation technology and a balanced jetting configuration to deliver superior results in nearly all applications. We also offer nozzles that tune descaling or pulling performance for a variety of special conditions.

See the illustration below for the relationship between jet angle and performance characteristics.



WHICH TOOL IS RIGHT FOR YOU?

- 1 PIPE SIZE
- 2 EQUIPMENT
- 3 APPLICATION

Pipe Inner Diameter		FLOW RANGE		PRESSURE		INLET	DESCALING	PULLING	BLAST PREVENTION	ROOT CUTTING	SWITCHER	RECYCLED WATER	SMALL PIPE BENDS	EXTENDED SERVICE LIFE	PAGE
		GPM	LPM	PSI	BAR										
8-36" 203-914mm	MAGNUM	50-120	189-454	1200-5K	83-345	1" & 1 1/4" NPT OR BSPP	•	•	•	•	•	•	•	•	10
	CLASSIC	50-120	189-454	1200-5K	83-345	1" & 1 1/4" NPT OR BSPP	•	•							14
6-18" 152-457mm	MAGNUM	14-60	53-227	1200-8K	83-552	1/2" & 3/4" NPT OR BSPP	•	•			•	•		•	12
	CLASSIC	10-50	38-189	1200-8K	83-552	1/2" & 3/4" NPT OR BSPP	•	•							15
4-8" 102-203mm	CLASSIC	9-21	34-79	1200-5K	83-345	1/2" NPT OR BSPP	•	•							16
3-6" 76-152mm	CLASSIC	5-21	19-79	1200-5K	83-345	3/8" & 1/2" NPT OR BSPP	•	•					•		17
2-4" 51-102mm	CLASSIC	3-8	11-30	1200-5K	83-345	1/4" NPT OR BSPP	•	•					•		17

NOZZLE TERMINOLOGY

- Standard** Nozzles with a balanced jetting configuration that deliver ideal results in most conditions
- Descaling** Nozzles with jet angles that deliver greater impact to the side of the pipe in order to remove heavy calcium deposits, scaling and sidewall build-up
- Pulling** Nozzles with jet angles that create additional thrust for long runs, climbs, or flushing
- Switcher** A Warthog Magnum with patented technology enabling the operator to send full pump flow to either a set of pulling jets **OR** a set of descaling jets while the tool is in the pipe
- Blast Prevention** A new Warthog Magnum nozzle using patented Blast Prevention technology to allow full-power cleaning without blowing toilets or pulling traps
- Root Destroyer** A new Warthog Magnum nozzle combining controlled rotation with a unique 8 jet cutting configuration optimized for removing roots