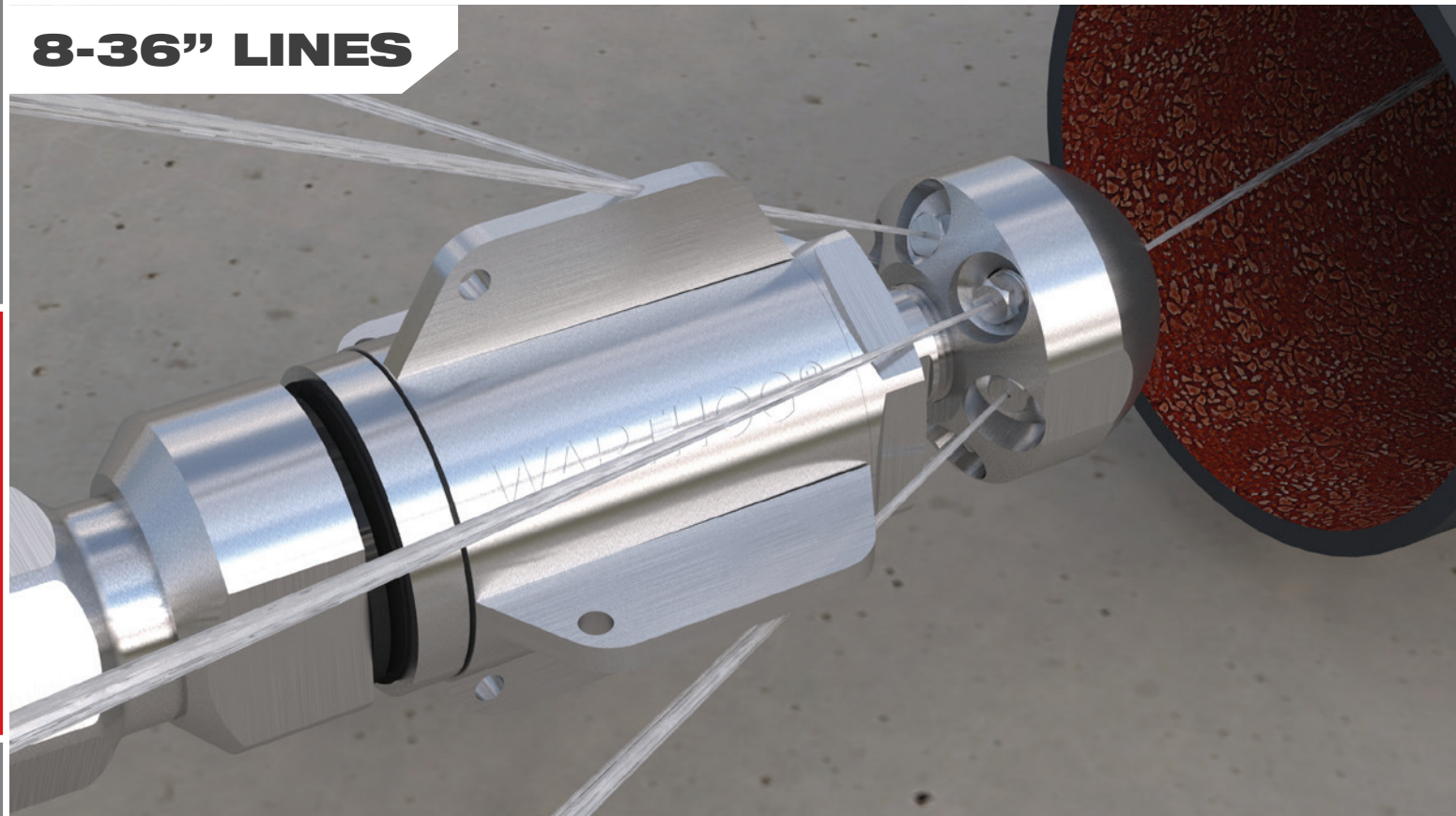


8-36" LINES



CLASSIC

8-36" LINES

WD 1-1/4

Proven effective for municipal, industrial and commercial drain cleaning applications, the Warthog WD 1-1/4 is designed to handle the same applications as the WG-1 but at higher flows. The 1-1/4" inlet combined with seven ports effectively distributes more water. The WD 1-1/4 is field-maintainable for low cost of ownership and can be fitted with replaceable AP2 nozzle tips sized to maximize pump efficiency.

FEATURES:

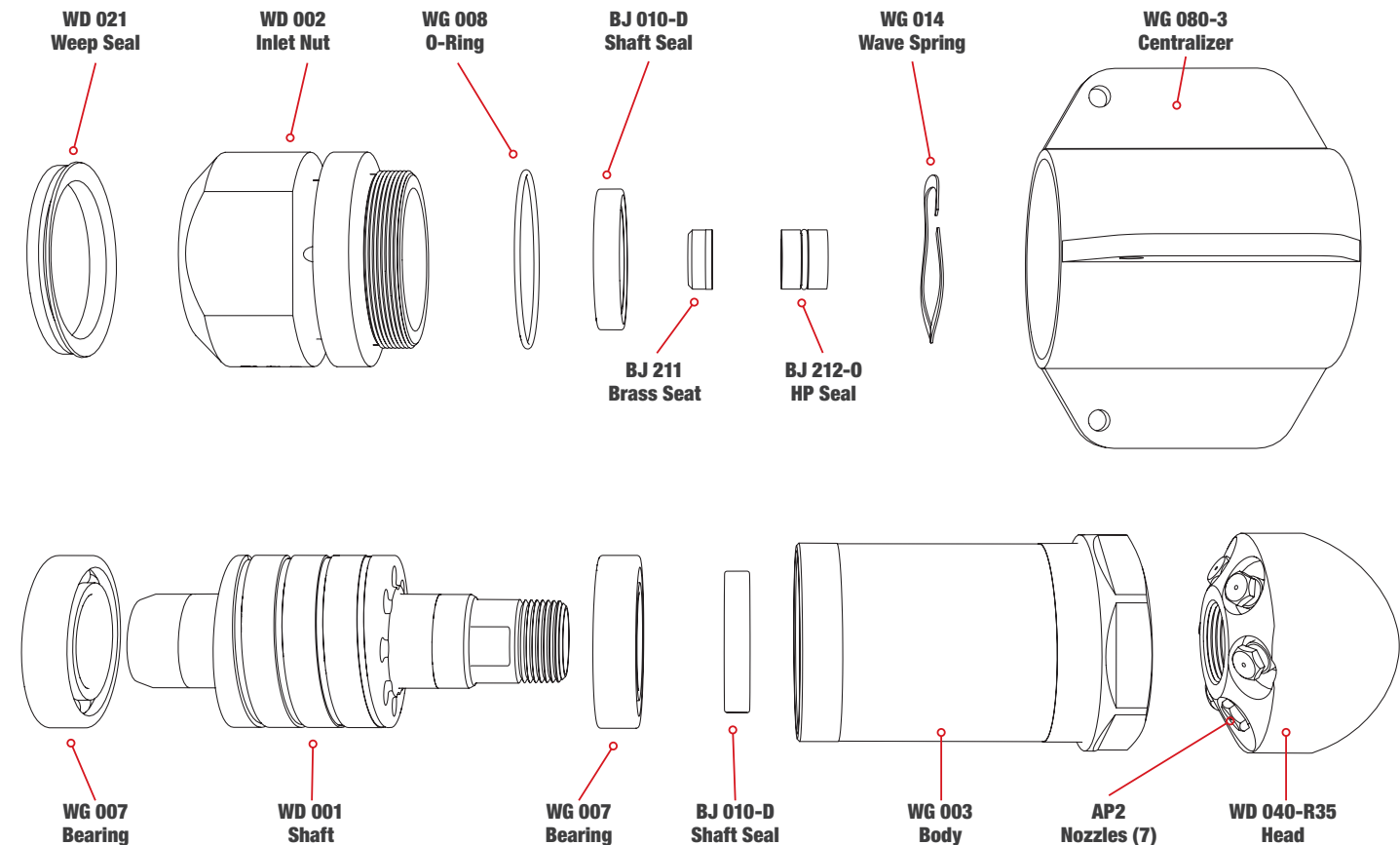
- High flow capacity up to 120 gpm (450 l/min)
- Controlled rotation — Slower dwell time allows jets to penetrate deeper through deposits
- Multiple head options — Customize tool for unplugging, descaling or manhole cleaning
- Highest quality jets — Hardened stainless steel orifices resist cracking and scratching
- Optional descaling head available

WD 1-1/4 CLASSIC	Up to 5k psi (350 bar)
	80-120 gpm Flows (300-450 l/min)
	High Flow Model

WD 1-1/4 Classic Specifications	
MAXIMUM PRESSURE	5k psi 350 bar
OPERATING PRESSURE	1500-5k psi 100-350 bar
ROTATION SPEED	150-300 rpm
FLOW	80-120 gpm 300-450 l/min
FLOW RATING	7.6 Cv
PULLING FORCE	130-190 lb 600-850 Nm
INLET CONNECTION	1-1/4 NPT or BSPP
LENGTH	9.1 in. 231 mm
DIAMETER WITH CENT.	4.8 in. 122 mm
NOZZLE PORTS	7 x 1/8 NPT
WEIGHT	11 lb 5.0 kg

WD 1-1/4 CLASSIC

EXPLODED VIEW - PART NAMES AND NUMBERS



Maintenance & Overhaul Kits

WD 600 • SERVICE KIT

- (1) BJ 048-F Visc. Fluid, 6oz.
- (1) BJ 062-S Antiseize, 2g
- (1) GP 025-P2SS Hex Socket Plug
- (1) BJ 211 Brass Seat
- (1) BJ 212-0 HP Seal & O-Ring

WD 602 • SEAL KIT

- (1) BJ 211 Brass Seat
- (1) BJ 012-0 HP Seal & O-Ring

WD 610 • OVERHAUL KIT

- (1) BJ 048-F Visc. Fluid, 6oz.
- (2) BJ 010-D Shaft Seals
- (1) BJ 062-S Antiseize, 2g
- (1) BJ 211 Brass Seat
- (1) BJ 012-0 HP Seal & O-Ring
- (2) WG 007 Ball Bearings
- (1) WD 021 Seal
- (1) WG 008 O-Ring
- (1) WG 014 Wave Spring

WG 612 • TOOL KIT

- (1) HC 064 Fill Tube
- (1) BJ 105 Tool