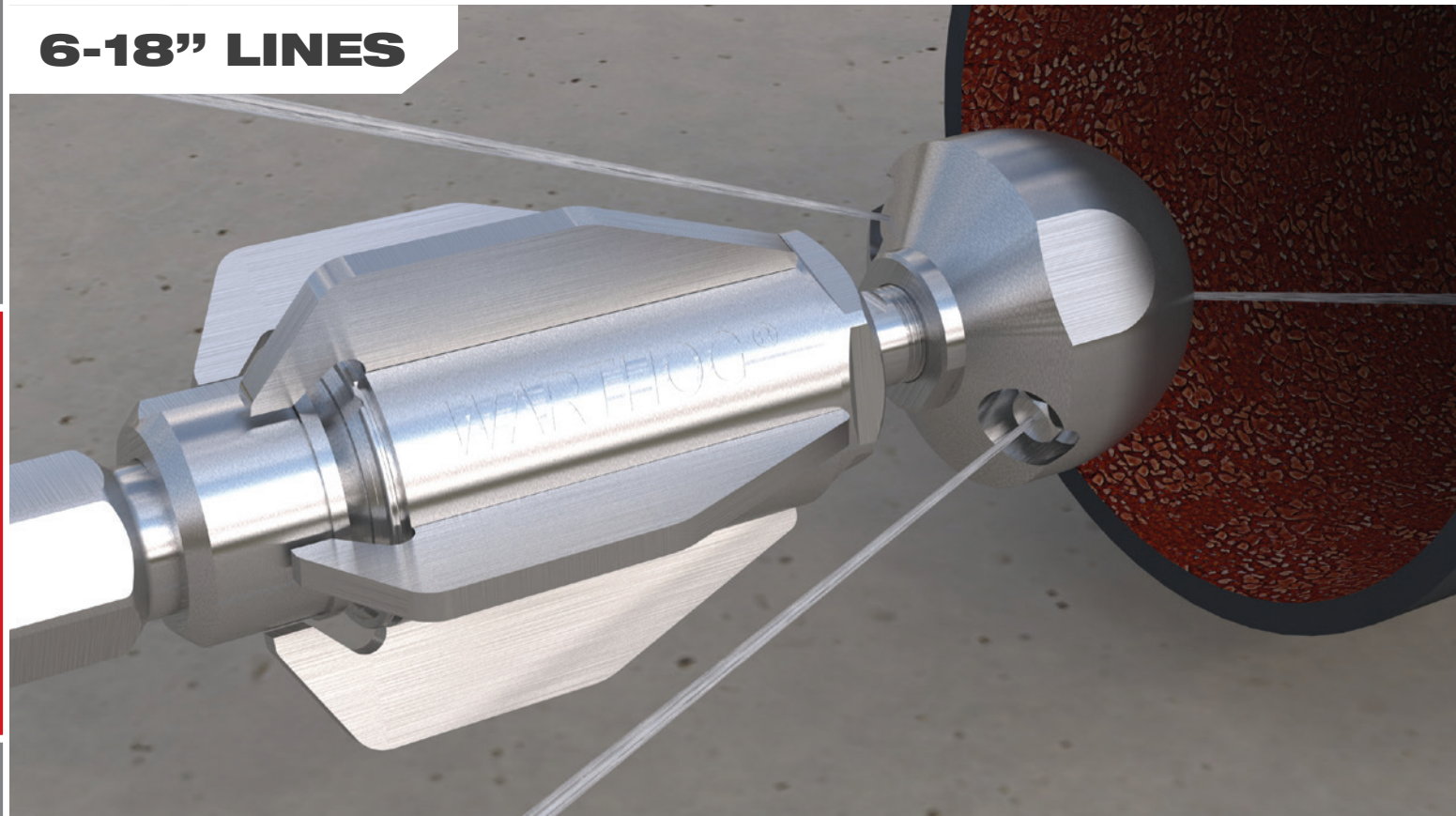


6-18" LINES



WHP-3/4 PULLER

The Warthog WHP-3/4 has been designed to produce more pulling power than other tools available on the market. The centralizer fins are streamlined to allow the rear facing jets to be angled more sharply, giving the tool more forward thrust. The result is more pulling power to handle longer lines and moderate inclines.

FEATURES:

- **Controlled rotation** — Slower dwell time allows jets to penetrate deeper through deposits
- **Multiple head options** — Customize tool for unplugging, descaling or manhole cleaning
- **Highest quality jets** — Hardened stainless steel orifices resist cracking and scratching

WHP-3/4 PULLER	Up to 8k psi (550 bar)
	15-50 gpm Flows (60-190 l/min)
	Up to 20% More Thrust*

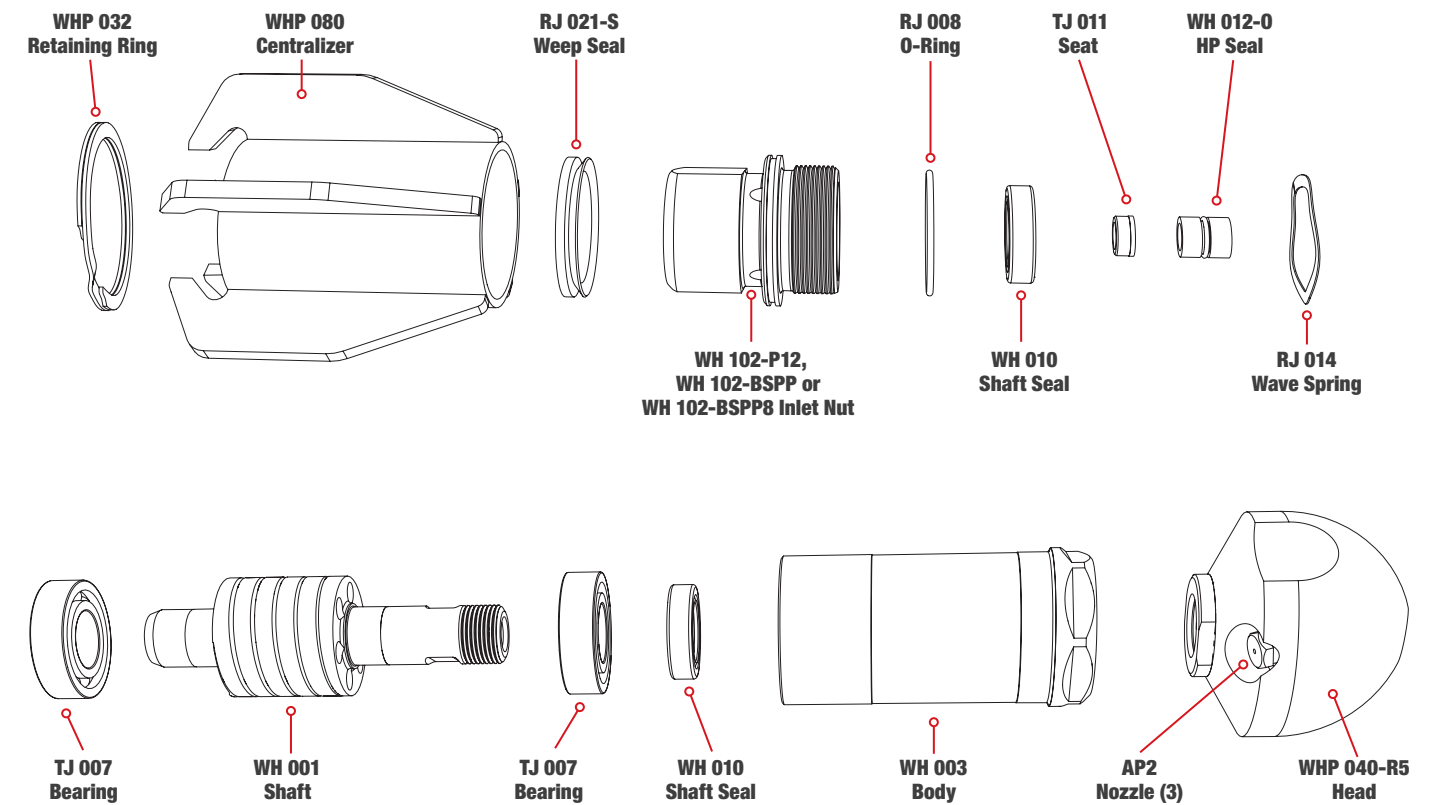
6-18" Lines (152-457 mm)

WHP-3/4 Specifications	
MAXIMUM PRESSURE	8k psi 550 bar
OPERATING PRESSURE	1500-4k psi 00-275 bar
ROTATION SPEED	150-300 rpm
FLOW	15-50 gpm 60-190 l/min
FLOW RATING	3.0 Cv
PULLING FORCE	45-90 lb 00-400 Nm
INLET PORT	1/2 NPT, 1/2 BSPP, 3/4 NPT, 3/4 BSPP
DIA. INCLUDING CENTRALIZER	3.4 in. 86 mm
LENGTH	7.5 in. 190 mm
NOZZLE PORTS	3 x 1/8 NPT
WEIGHT	4.7 lb 2.1 kg

* With the front jet plugged.

WHP-3/4

EXPLODED VIEW - PART NAMES AND NUMBERS



Maintenance & Overhaul Kits

WH 600 • SERVICE KIT

- (1) BJ 048-F Visc. Fluid Fast, 6oz.
- (1) BJ 062-S Antiseize, 2g
- (1) GP 025-P2SS Hex Socket Plug
- (1) TJ 011 Brass Seat
- (1) WH 012-O HP Seal & O-Ring

WH 602 • SEAL KIT

- (1) TJ 011 Brass Seat
- (1) WH 012-O HP Seal & O-Ring

WH 610 • OVERHAUL KIT

- (1) BJ 048-F Visc. Fluid Fast, 6oz.
- (1) BJ 062-S Antiseize, 2g
- (1) RJ 008 O-Ring
- (1) TJ 011 Brass Seat
- (1) WH 012-O HP Seal & O-Ring
- (2) TJ 007 Ball Bearing
- (2) WH 010 Shaft Seal
- (1) RJ 021-S Weep Seal
- (1) RJ 014 Wave Spring
- (1) WHP 032 Retaining Ring

WH 612 • TOOL KIT

- (1) TJ 064 Fill Tube
- (1) WH 105 Tool